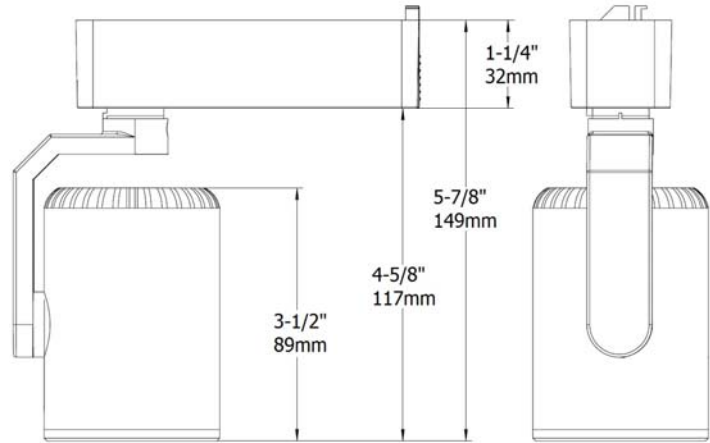




L621

120V LED TRACK LUMINAIRE

Type	
Project	
Catalog No.	



DESCRIPTION

Line voltage LED track fixture in a clean and compact design. Detailed yoke with smooth transition line. suitable for residential application or smaller spaces with low mounting height.

CONSTRUCTION

Injection molded polycarbonate driver housing.
Die-cast aluminum arm.
Extruded aluminum heatsink and LED housing.
Powder coat paint.
350° horizontal, ±90° vertical aim adjustment.

MOUNTING

Provides electrical and mechanical connection to single or two circuit track.

ELECTRICAL

Input 120VAC 50/60Hz
Input Power 12.5W
Efficacy 89 lm/W
Power Factor >0.9
Dimming 10% using recommended dimmer
Lutron¹ SCL-153P
Lutron¹ DVCL-153P
Lutron¹ MACL-153M
Lutron¹ CTCL-153P

LED

CCT 3000K
CRI >80
Color Control 3-step MacAdam ellipse
Luminous Flux 1112 lm
Optics 38°

Passive thermal management provides silent operation to yield over 70% lumen maintenance for a minimum of 50,000 operation hours in 25°C (77°F) ambient.

LABELS

cETLus Listed

WARRANTY

3 Years

ORDERING INFORMATION

SYSTEM	SERIES	CCT	CRI	FINISH
H2 = H1 or H2 Track L2 = L1 or L2 Track J2 = J1 or J2 Track	L621	30 – 3000K	80 – 80	B – Black W – White
	L621	30	80	

Notes:
¹Lutron is a registered trademark of Lutron Electronics, Inc.



www.jescolighting.com
support@jescolighting.com
Tech Support: 855.592.0029

15 Harbor Park Drive
Port Washington, NY 11050
Main Line: 800.527.7796
Fax Line: 855.265.5768

219 South 6th Ave
City of Industry, CA 91746
Main Line: 855.654.0110
Fax Line: 626.333.2955

Specifications subject to change without notice.