

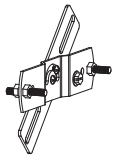
ASSEMBLY AND INSTALLATION INSTRUCTIONS

T0541 / T0543

WARNING: Turn off the main power at circuit breaker before installing fixture.
AVERTISSEMENT: Coupez la source d'alimentation principale au panneau central de disjoncteurs avant d'installer le luminaire.

NOTE: 1. Before installing, consult local electrical codes for wiring and grounding requirements.
2. READ AND SAVE THESE INSTRUCTIONS.

Hardware Package (included):



Cross Bar Unit (A)



Mounting Screw (B)



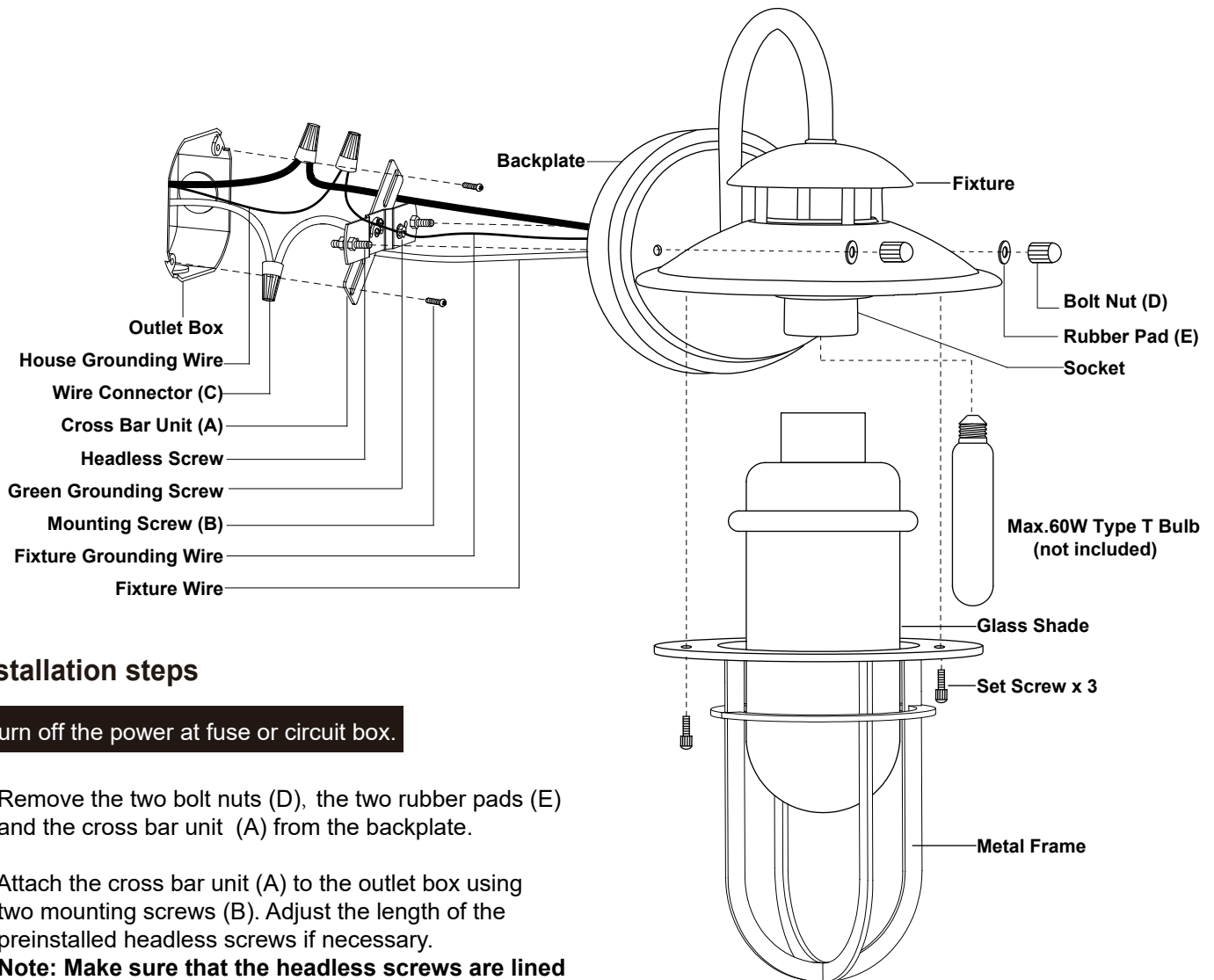
Wire Connector (C)



Bolt Nut (D)



Rubber Pad (E)



Installation steps

Turn off the power at fuse or circuit box.

1. Remove the two bolt nuts (D), the two rubber pads (E) and the cross bar unit (A) from the backplate.

2. Attach the cross bar unit (A) to the outlet box using two mounting screws (B). Adjust the length of the preinstalled headless screws if necessary.

Note: Make sure that the headless screws are lined up horizontally to make the fixture level.

3. Remove the three set screws and the metal frame from the fixture.
4. Pull out the source wires from the outlet box. Make wire connections using wire connectors (C) as follows:
 - Connect the hot wire (usually black insulation) from the fixture to the black wire from the power source.
 - Connect the neutral wire (usually white insulation) from the fixture to the white wire from the power source.
 - Attach the fixture grounding wire (usually green insulation or bare wire) to the cross bar unit (A) with the green grounding screw. Then, depending on local code connect it to the house grounding wire with the wire connector (C).
 Carefully put all of the wires back into the outlet box.
5. Attach the backplate of the fixture to the cross bar unit (A) by aligning and inserting the two headless screws from the cross bar unit (A) into the open holes on the backplate, then place the two rubber pads (E) over the exposed headless screws before screwing the two bolt nuts (D).

Note: With silicone caulking compound, caulk completely around where the backplate meets with the wall surface to prevent water from seeping into the outlet box.
6. Install bulb (not included). See relamping label at socket area or packaging for maximum wattage allowed .
7. Attach the glass shade into the metal frame.
8. Attach the metal frame and glass shade to the fixture, then secure it with the set screws.

Turn on the power at fuse or circuit box.

The following parts are available for re-order if damaged or missing.

Spare Parts List:

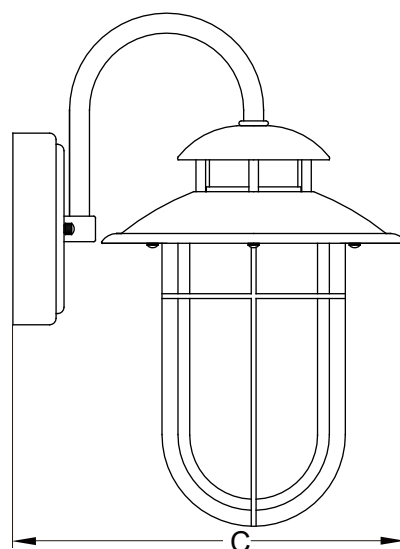
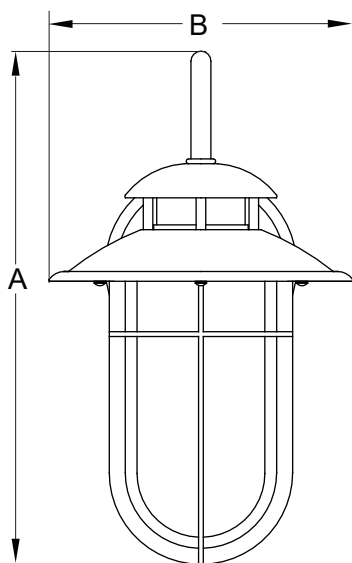
Cross Bar Unit (A) Mounting Screw (B) Wire Connector (C) Bolt Nut (D) Rubber Pad (E)

Mounting Hardware
6185MM (1SET)

Set Screw
6188SER

T0541
Glass Shade
X1
10131CS

T0543
Glass Shade
X1
10132CS



T0541	T0543
A: 12-1/2"	A: 16"
B: 7-1/2"	B: 9-1/2"
C: 9-1/2"	C: 12"