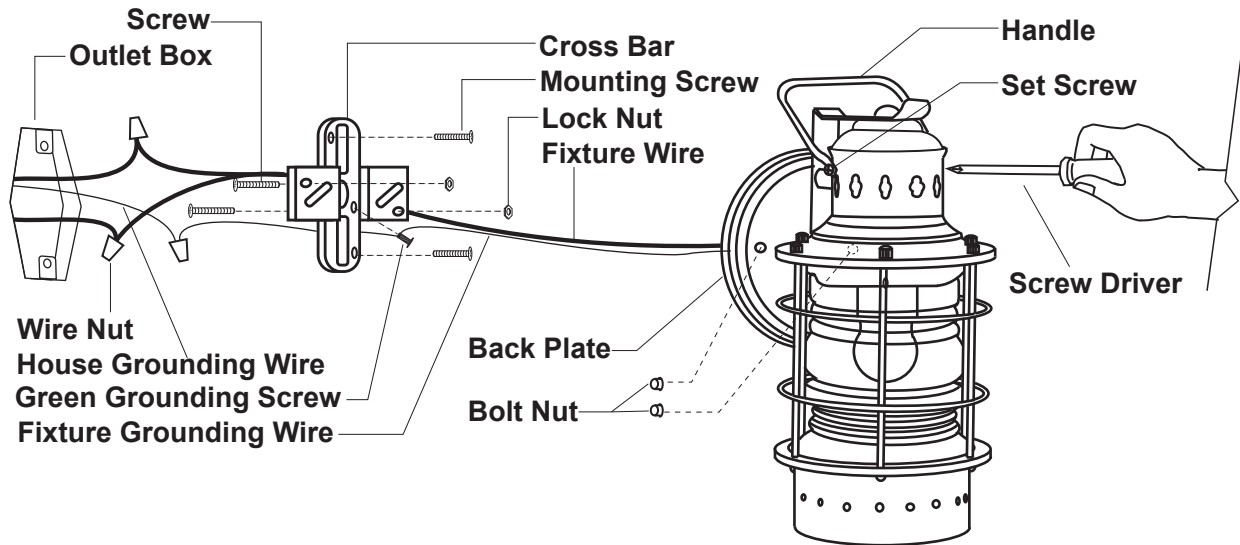


ASSEMBLY AND INSTALLATION INSTRUCTIONS

OW37051

WARNING: BE SURE TO SHUT OFF POWER AT THE MAIN FUSE OR CIRCUIT BREAKER BOX BEFORE INSTALLING OR SERVICING THIS FIXTURE.

**NOTE: 1. Before installing, consult local electrical codes for wiring and grounding requirements.
2. READ AND SAVE THIS INSTRUCTION.**



1. Unscrew the ball nuts to separate the frame from the fixture. (See Fig.1)
 2. Thread two screws through the cross bar, then secure them with two lock nuts. Adjust the length of the screws if necessary.
 3. Attach the cross bar to the outlet box by using two mounting screws.
 4. Pull out the outlet wires and house grounding wire from the outlet box. Make wire connections using the wire nuts:
 - The black wire from the fixture to the black wire from the power source.
 - The white wire from the fixture to the white wire from the power source.
 - Attach the fixture grounding wire to the cross bar with the green grounding screw. Then connect it to the house grounding wire with a wire nut.Carefully put the wires back into the outlet box.
 5. Attach the back plate to the cross bar by inserting the screws, then secure it with two bolt nuts.
- CAUTION: With silicone caulking compound, caulk completely around where the back plate meets with the wall surface to prevent water from seeping into the outlet box.**
6. Install a bulb (not included). See relamping label at socket area or packaging for maximum allowed wattage.
 7. Restore the frame back to the fixture.
 8. Adjust the handle to a proper position, and then secure it with set screws.
 9. Turn on the power at the main fuse or circuit breaker box.

