

# ASSEMBLY AND INSTALLATION INSTRUCTIONS

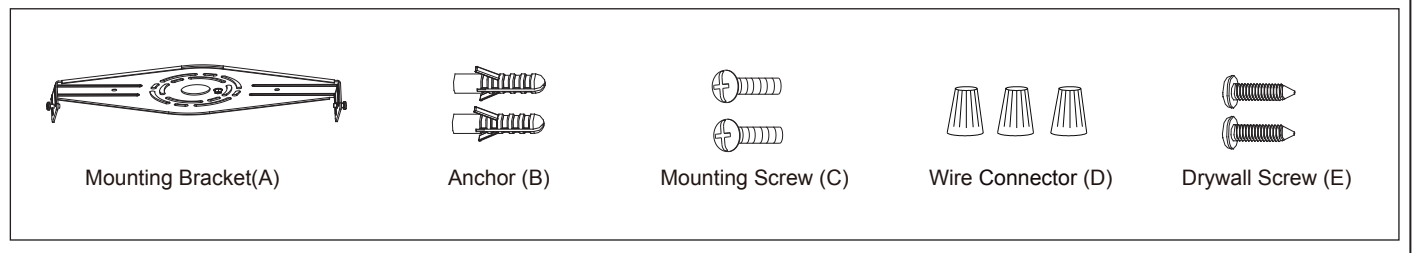
C0179

**WARNING:** TO AVOID RISK OF ELECTRICAL SHOCK, BE SURE TO SHUT OFF POWER WHILE INSTALLING OR SERVICING THIS FIXTURE.

**NOTES:** 1. Before installing, consult local electrical codes for wiring and grounding requirements.  
2. READ AND SAVE THESE INSTRUCTIONS.

**Warning:** LED electronics can be damaged by electro static discharge (ESD) shock. Before installation, discharge yourself by touching a grounded bare metal surface to remove this hazard. To avoid damage, do not touch the LED module.

## Hardware Package (included):



## Installation Steps

Turn off the power at fuse or circuit box.

1. Loosen two side set screws in part way, and then remove the mounting bracket from the fixture.

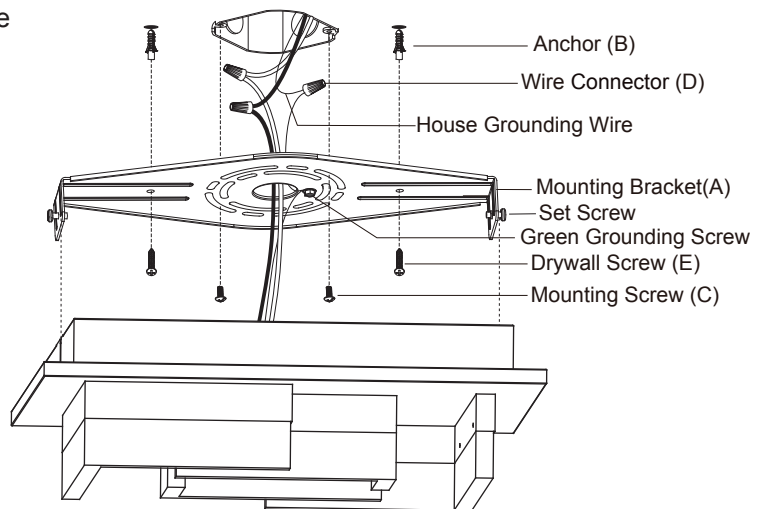
2. Attach the mounting bracket to the outlet box using the two mounting screws, and mark the location on each side for the two anchors to secure mounting bracket on to the ceiling. Remove the mounting bracket and drill holes at the two anchor location. Hammer the anchors into the hole tightly. Re-attach the mounting bracket to outlet box using the two mounting screws, and then secure it with dry wall screws.

3. Pull out the source wires from the outlet box. Make wire connections using wire connectors as follows:

- Connect the hot wire (usually black insulation) from the fixture to the black wire from the power source.
- Connect the neutral wire (usually white insulation) from the fixture to the white wire from the power source.
- Connect the fixture grounding wire (usually green/yellow insulation or bare wire) to the mounting bracket by securing it with the preinstalled grounding screw, and then connect it to the house grounding wire with the wire connector. Carefully tuck the wires back into the outlet box.

4. Attach the fixture to the mounting bracket by inserting two side set screws into "L" slots in fixture, and then tighten two set screws.

Turn on the power at fuse or circuit box.

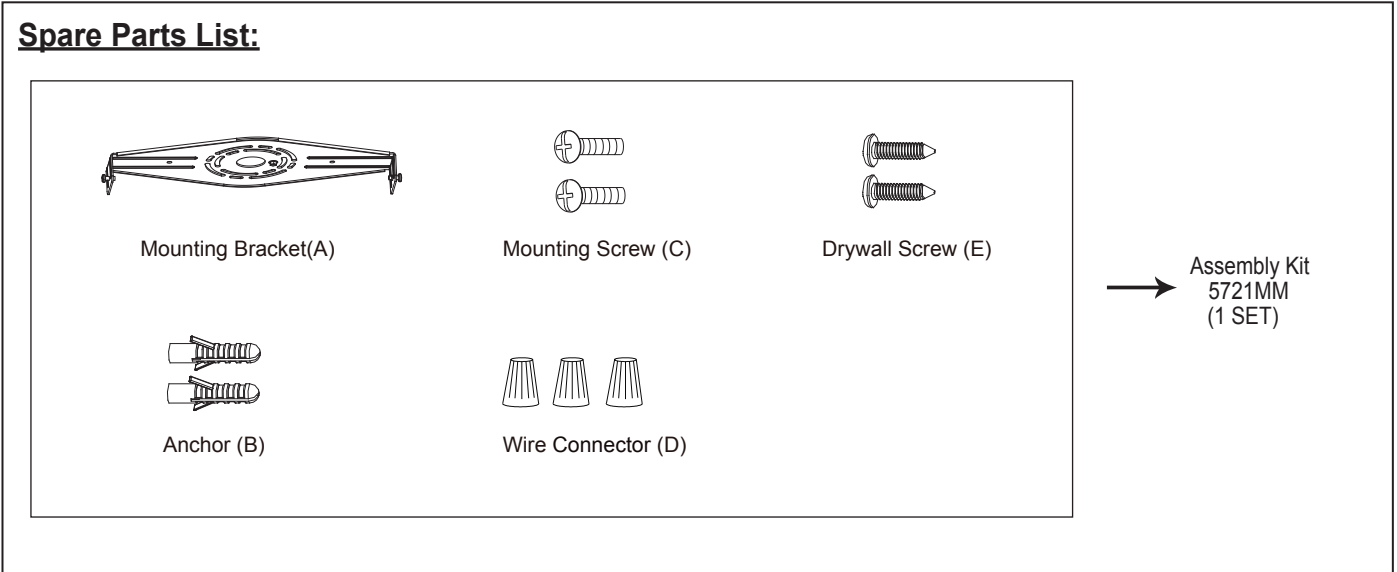


This fixture is dimmable with a forward phase electronic dimmer. Dimmers tested to be compatible with this fixture are the Lutron: DVWCL-153PH, MACL-153MH, SCL-153PH, TGCL-153P.

If you are unfamiliar with electrical installations, it is recommended you have a qualified electrician for your installations.

The following parts are available for re-order if damaged or missing.

**Spare Parts List:**



**5-YEAR LIMITED WARRANTY:**

All products are warranted to be free of defects in material and workmanship for five (5) years from date of purchase. This warranty is limited to the correction of any such defect, or the replacement of any such defective item(s), provided that: (a) we are properly notified and consent to return of the item(s) in question:(b) the item (s) is / are returned with proof of purchase date; and (c) it is found upon inspection by us that the item (s) is / are defective as noted above. This warranty dose not cover labor costs, consequential damages, nor dose it apply to any item(s) that have been improperly installed, overloaded, altered, or otherwise abused by the customer, its agent(s) or employee(s). Finishes are specially excluded from the terms of this warranty since they are subject to environmental maintenance deemed beyond our control. Other than the described obligation, we assume no further liability with respect to the sale or use of our products.We make no warranty, express or implied, and disclaim any warranty of merchantability or fitness for a particular purpose.

