

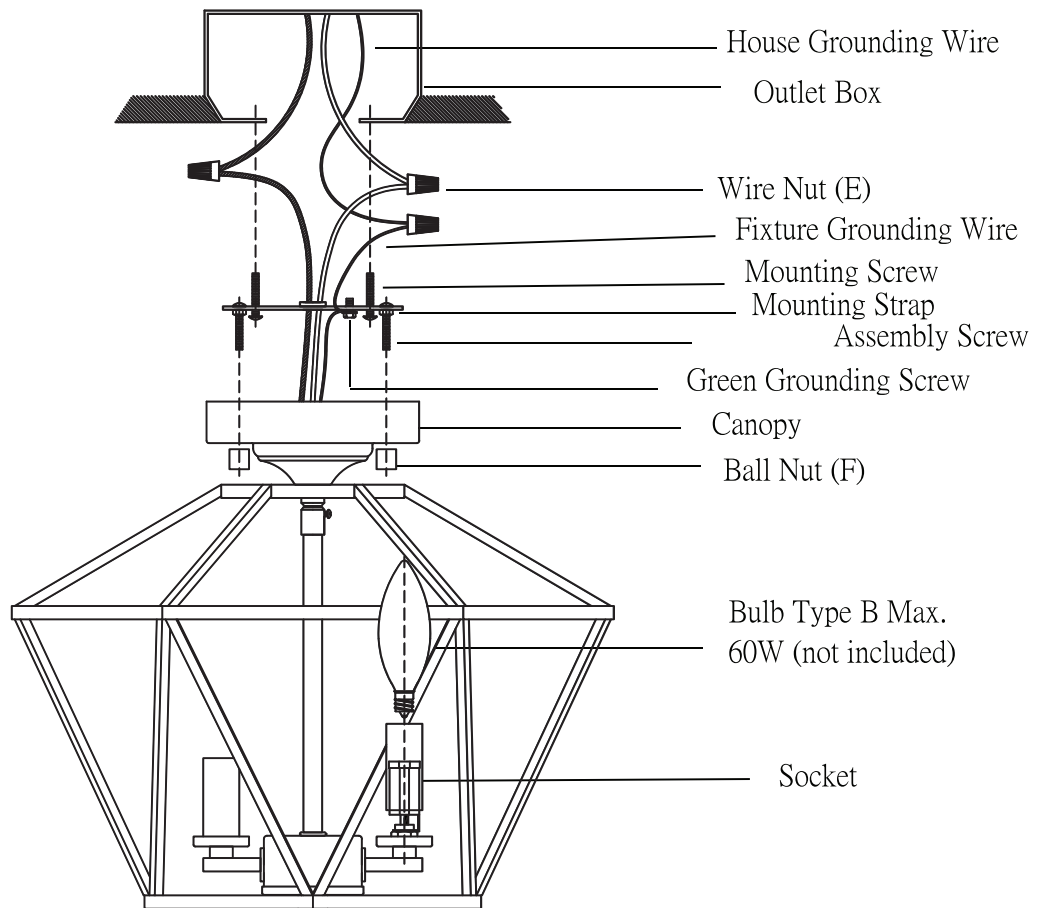
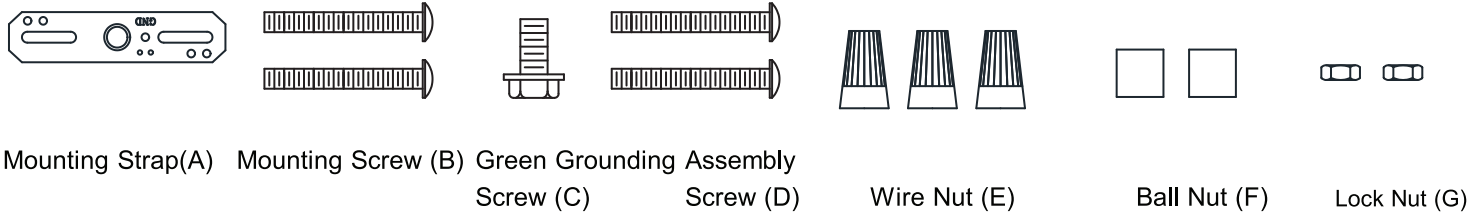
ASSEMBLY AND INSTALLATION INSTRUCTIONS

C0174

WARNING: TO AVOID RISK OF ELECTRICAL SHOCK, BE SURE TO SHUT OFF POWER BEFORE INSTALLING OR SERVICING THIS FIXTURE.

NOTES: 1. Before installing, consult local electrical codes for wiring and grounding requirements.
2. READ AND SAVE THESE INSTRUCTIONS.

Hardware Package (included):



Installation Steps

Turn off the power at fuse or circuit box

1. Attach the two assembly screws to the mounting strap, and screw in 2 to 3 turns.
2. Attach the mounting strap to the outlet box using two mounting screws.
3. Pull out the source wires from the outlet box. Make wire connections using wire nuts as follows:
 - Connect the hot wire (usually black insulation) from the fixture to the black wire from the power source.
 - Connect the neutral wire (usually white insulation) from the fixture to the white wire from the power source.

---Attach the fixture grounding wire (usually green insulation or bare wire) to the mounting plate with the green grounding screw, and then connect it to the house grounding wire with the wire nut. Carefully put the wires back into the outlet box.


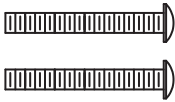

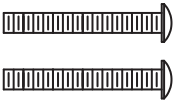
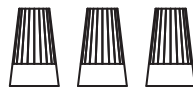

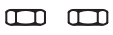
4. Attach the canopy to the mounting strap by inserting two assembly mounting screws, and then secure it with two ball nuts.

5. Install bulbs (not included). Check relamping label at socket area or packaging for maximum allowed wattage.

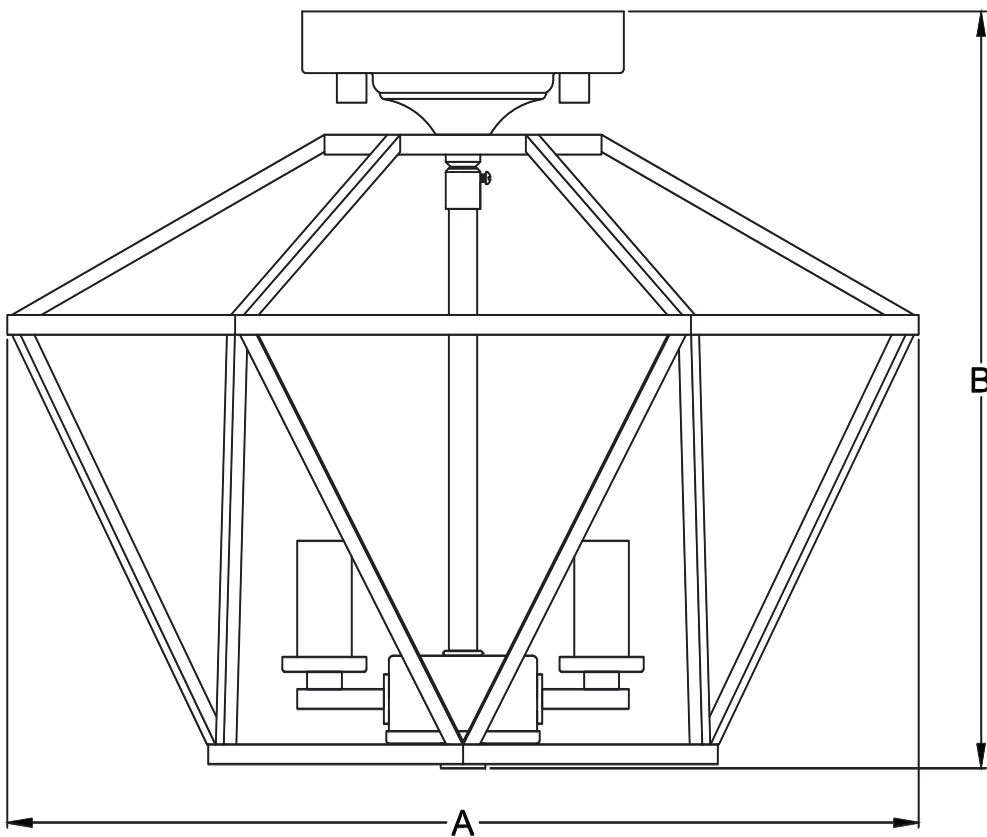
Turn on the power at fuse or circuit box

The following parts are available for re-order if damaged or missing.

Spare Parts List:

						
Mounting Strap(A)	Mounting Screw (B)	Green Grounding Assembly Screw (C)	Screw (D)	Wire Nut (E)	Ball Nut (F)	Lock Nut (G)

↓
Assembly Kit
5746MM (1 SET)



A: 14-1/2"

B: 12"