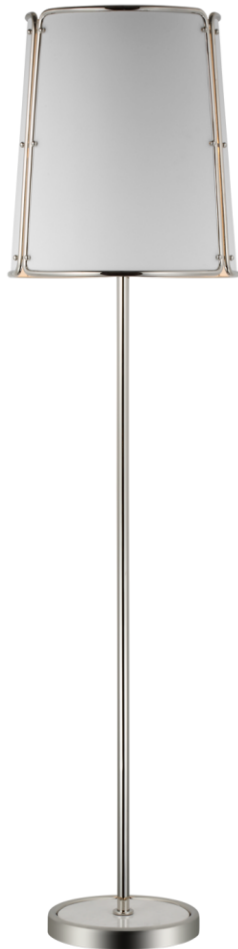


TEAR SHEET



Hastings Large Floor Lamp

Item # S 1645PN-WHT

Designer: Carrier and Company

Height: 71"

Width: 18.5"

Base: 12" Round

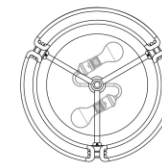
Finishes: PN

Shade Treatments: WHT

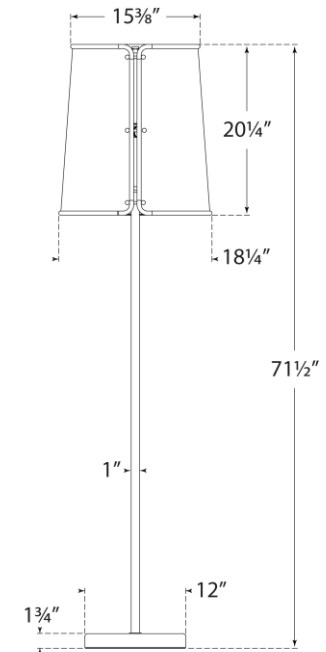
Socket: 2 - E26 Pull Chain

Wattage: 2 - 60 A19

Weight: 51 Pounds



Top View



Front View