

ASSEMBLY INSTRUCTIONS

Pelham Oval Light

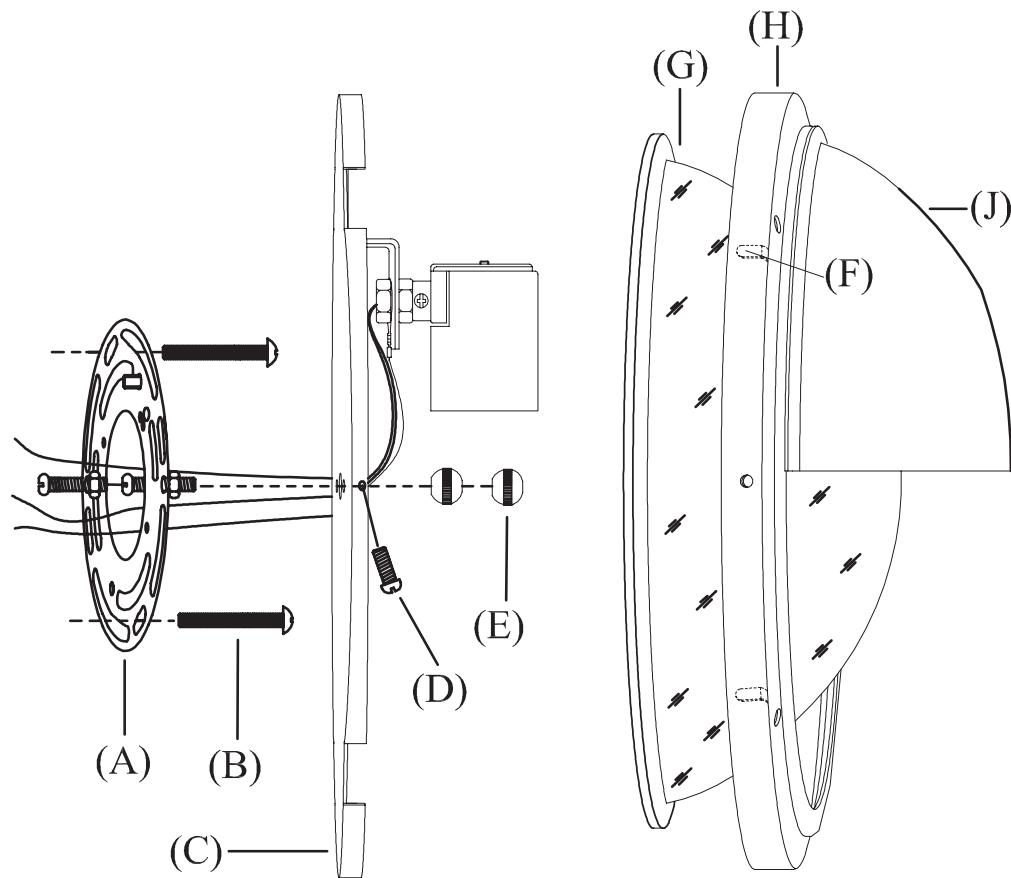
Item # TOB2209

WE RECOMMEND INSTALLATION OF THIS LIGHTING FIXTURE BE DONE BY A LICENSED ELECTRICIAN.

WARNING * SWITCH OFF THE MAIN ELECTRICAL SUPPLY FROM THE MAIN FUSE BOX/CIRCUIT BREAKER BEFORE INSTALLATION.**

INSPECT ITEM CAREFULLY BEFORE ATTEMPTING TO INSTALL. IF THERE IS ANY DAMAGE OR OBVIOUS DEFECT, DO NOT INSTALL.

ITEM MAY NOT BE RETURNED ONCE IT HAS BEEN INSTALLED.



1. Remove glass holder (H) from fixture base (C) by removing base screws (D) and set aside.
2. Remove mounting plate (A) from fixture base (C) by unscrewing cap nuts (E).
3. Connect the hot wire from the fixture (BLACK) to the hot wire from ceiling outlet box (usually BLACK). Fasten them together with a plastic wire connector provided and wrap connection with electrical tape.
4. Repeat this procedure for the WHITE neutral wires from the light fixture to the wire from ceiling outlet box (usually WHITE).
5. Connect ground wire from the light fixture (bare copper) to ground wire from ceiling outlet box (usually green or copper in color).
6. Affix mounting plate (A) onto ceiling outlet box and secure with mounting screws (B).
7. Attach fixture base (C) to affixed mounting plate (A), letting rods on mounting plate (A) pass through the holes on fixture base (C) and secure with cap nuts (E). Make sure the direction of fixture base (C) is follow the direction label shown at backside of fixture base (C).
8. To install glass shade (G) to shade holder (H), make sure metal tabs (F) are flipped up, secure the glass shade by bending back the metal tabs downwards.
9. Insert light bulb into socket.
10. Attach glass holder (H) with glass shade (G) to fixture base (C), aligning the holes on fixture base (C) with holes on both side of glass holder (H) and secure with base screws (D). Make sure the metal cover (J) is at the top of shade holder (H).

ASSEMBLY INSTRUCTIONS

Pelham Oval Light

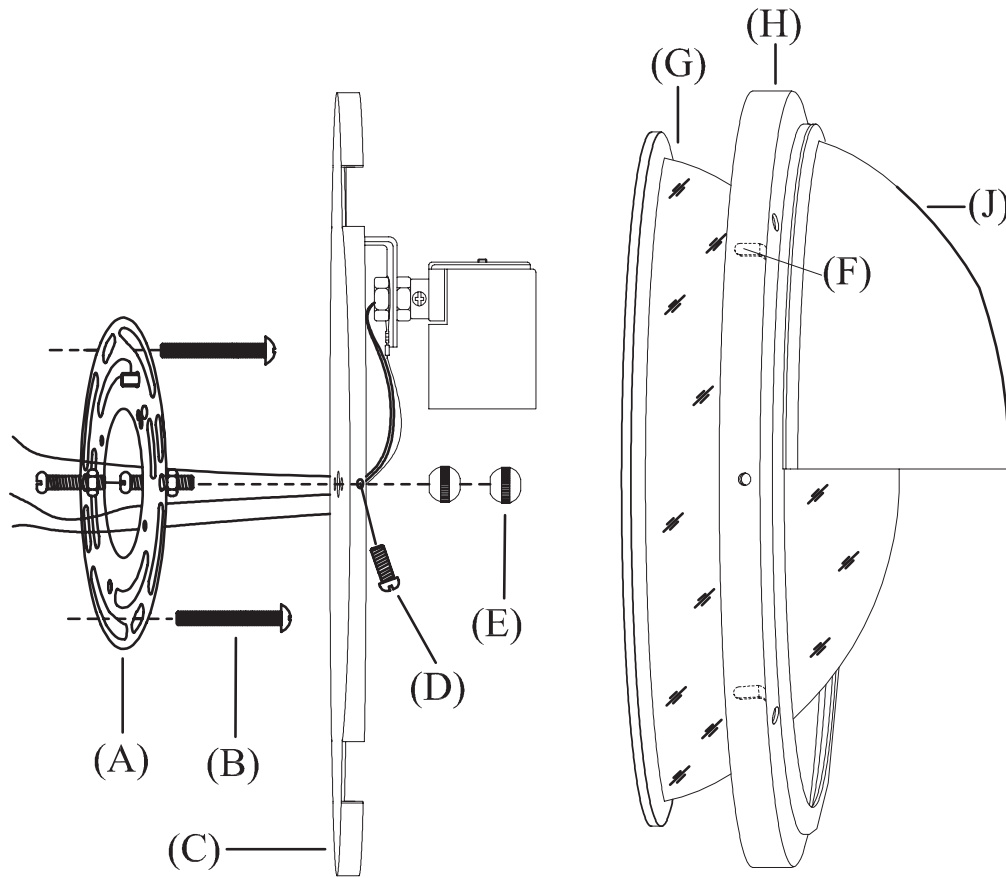
Item # TOB2209

WE RECOMMEND INSTALLATION OF THIS LIGHTING FIXTURE BE DONE BY A LICENSED ELECTRICIAN.

WARNING * SWITCH OFF THE MAIN ELECTRICAL SUPPLY FROM THE MAIN FUSE BOX/CIRCUIT BREAKER BEFORE INSTALLATION.**

INSPECT ITEM CAREFULLY BEFORE ATTEMPTING TO INSTALL. IF THERE IS ANY DAMAGE OR OBVIOUS DEFECT, DO NOT INSTALL.

ITEM MAY NOT BE RETURNED ONCE IT HAS BEEN INSTALLED.



INSTRUCTIONS FOR MOUNTING FIXTURE OUTDOORS AND/OR IN WET LOCATION:

1. Mounting surface should be clean, dry, flat and 1 1/4" (1.25") larger than backplate on all sides. Any gaps between the mounting surface and backplate exceeding 3/16" should be corrected as required.
2. With silicone (ex. GE-I 08) caulking compound, caulk completely around where back of canopy/fixture base meets the wall surface to prevent water from seeping into outlet box.

TO CHANGE LIGHT BULB:

1. Remove shade holder (H) with glass shade (G) from fixture base (C) by unscrewing base screws