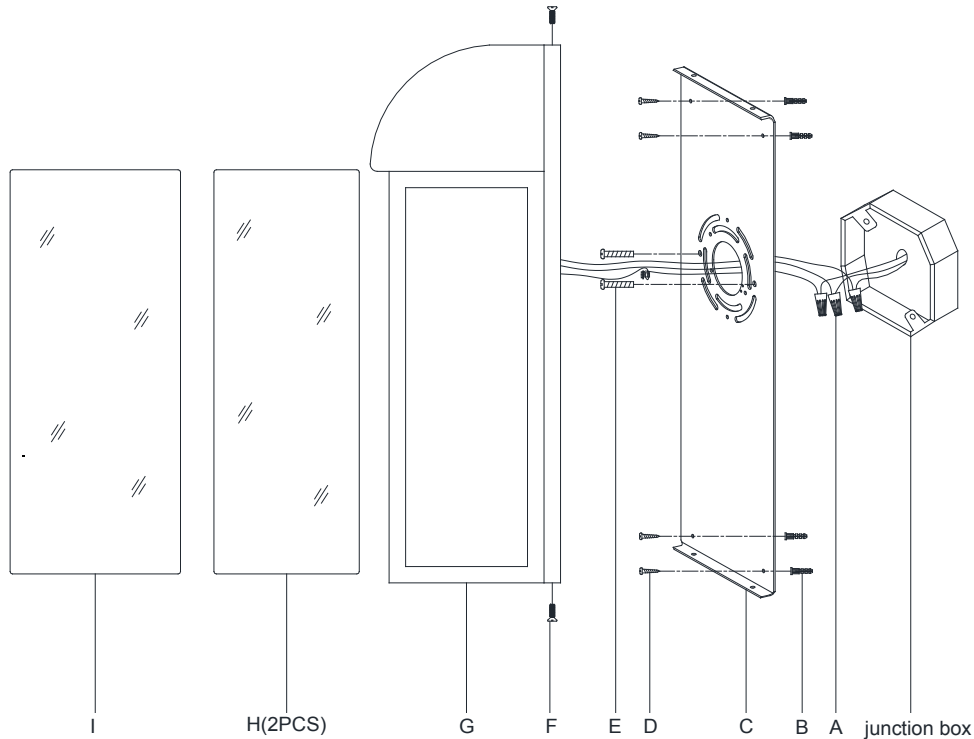


ASSEMBLY INSTRUCTIONS



Edgemont 18" Wall Sconce

Item # CHO 2923

WE RECOMMEND INSTALLATION OF THIS LIGHTING FIXTURE BE DONE BY A LICENSED ELECTRICIAN.

WARNING***SWITCH OFF THE MAIN ELECTRICAL SUPPLY FROM THE MAIN FUSE BOX/CIRCUIT BREAKER BEFORE INSTALLATION.

INSPECT ITEM CAREFULLY BEFORE ATTEMPTING TO INSTALL. IF THERE IS ANY DAMAGE OR OBVIOUS DEFECT. DO NOT INSTALL.

ITEM MAY NOT BE RETURNED ONCE IT HAS BEEN INSTALLED.

NOTE: CAREFULLY UNPACK EACH PIECE IN TOP LAYER OF PACKING PRIOR TO REMOVING. RETAIN ALL PACKING MATERIAL UNTIL INSPECTION AND INSTALLATION ARE FINAL.

1. Carefully remove all parts from the box.
2. Remove the mounting plate (C) from the fixture (G) by loosening the side screws (F).
3. Put the mounting plate (C) on the wall and mark the holes position with pencil.
4. Drill 4 holes on the wall and knock the anchors (B) into the holes.
5. Affix mounting plate (C) onto the junction box and secure with mounting screws (E), then secure the wood screws (D) to the anchors (B) and lock tight.
6. Place the glass panels (H) on the side of the frame and secure it by bending the metal tabs.
7. Place the glass panels (I) on the door of the frame and secure it by bending the metal tabs.
8. Connect ground wire from the fixture (bare copper) to ground wire from the junction box (usually green or copper in color) using wire nut (A).

IT IS IMPERATIVE THAT THIS FIXTURE BE GROUNDED.

9. Connect the neutral wire (WHITE) from the fixture to the neutral wire (White) from the junction box using wire nut (A).
10. Connect the hot wire (BLACK) from the fixture to the hot wire (Black) from the junction box using wire nut (A).

DO NOT REVERSE THE HOT AND NEUTRAL CONNECTIONS OR SAFETY WILL BE COMPROMISED.

11. Attach fixture (F) to the mounting plate (C) and secure with side screws (F).
12. Installation is complete, turn on power at fuse or circuit breaker.

***Clean with a dry, soft cloth only. Use no harsh abrasives or chemical agents.

WITH SILLICONE CAULKING COMPOUND, CAULK COMPLETELY AROUND METAL BASE MEETS THE WALL SURFACE TO PREVENT WATER FROM SEEPING INTO J-BOX.