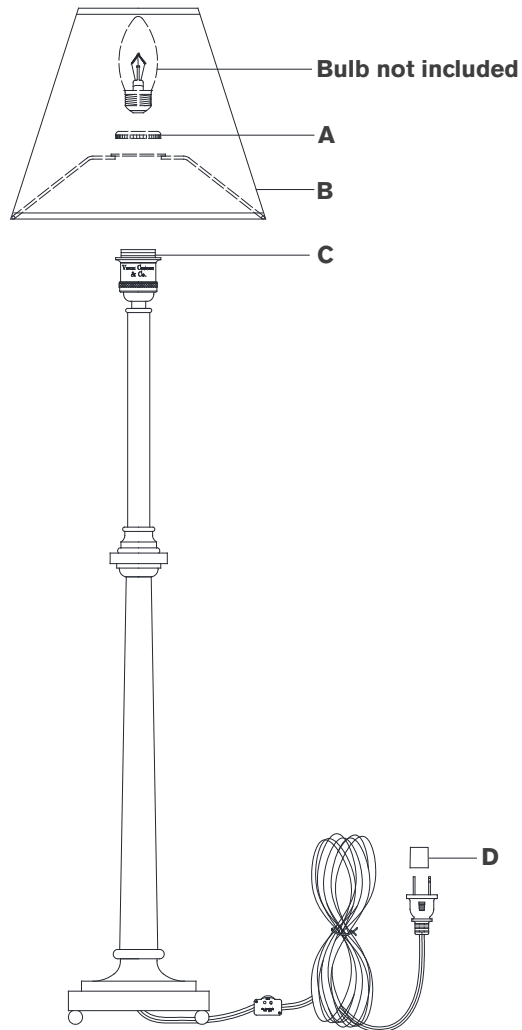


## ASSEMBLY INSTRUCTIONS

### ALB Version



## Swedish Column Buffet Lamp

Item # CHA8461

### NOTICE:

This light fixture should be installed in accordance with all applicable, local installation codes, and by a person familiar with the construction and operation of it, as well as the hazards involved. Inspect item and contents carefully. If any damage or defect is found, do not install. Retain all packaging material until installation is complete and approved.

### TOOLS REQUIRED (NOT INCLUDED):

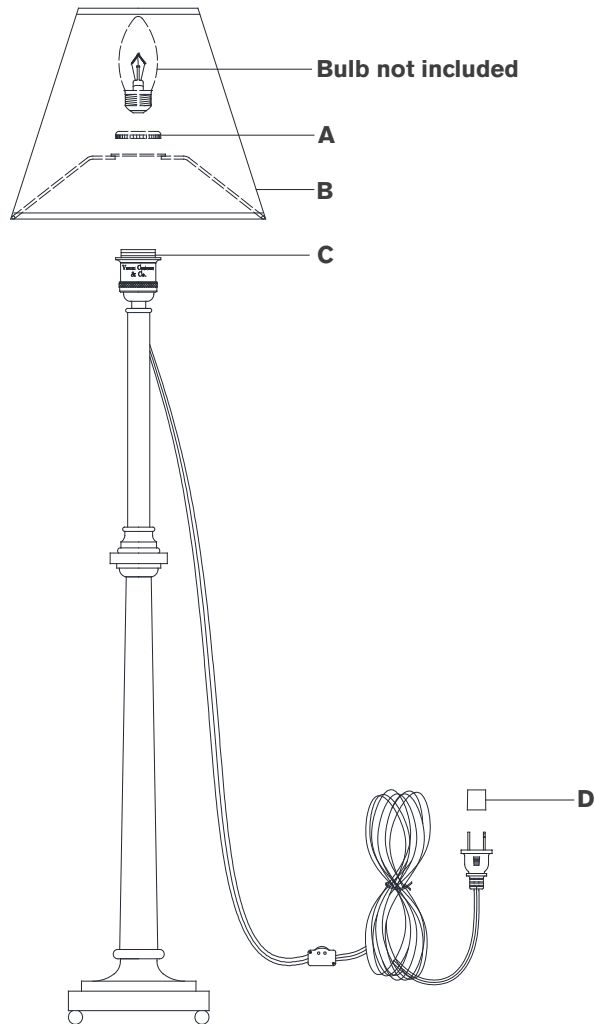
Scissors

1. Carefully remove all parts from the box. Place on a clean, soft surface.
2. Remove socket ring **(A)** from socket **(C)**.
3. Remove shade **(B)** from packaging and install to socket **(C)** by securing with socket ring **(A)**.  
**NOTE:** If shade has additional packaging, carefully cut off from interior of shade to avoid damages.
4. Install light bulb into socket.
5. Remove protective plug cover **(D)** from the plug.
6. Plug into electrical outlet and test the fixture.

**Care Instructions:** Clean only with a soft dry cloth or feather duster. Do not use abrasive or chemical agents.

## ASSEMBLY INSTRUCTIONS

### CG Version



## Swedish Column Buffet Lamp

Item # CHA8461

### NOTICE:

This light fixture should be installed in accordance with all applicable, local installation codes, and by a person familiar with the construction and operation of it, as well as the hazards involved. Inspect item and contents carefully. If any damage or defect is found, do not install. Retain all packaging material until installation is complete and approved.

### TOOLS REQUIRED (NOT INCLUDED):

Scissors

1. Carefully remove all parts from the box. Place on a clean, soft surface.
2. Remove socket ring (A) from socket (C).
3. Remove shade (B) from packaging and install to socket (C) by securing with socket ring (A).  
**NOTE:** If shade has additional packaging, carefully cut off from interior of shade to avoid damages.
4. Install light bulb into socket.
5. Remove protective plug cover (D) from the plug.
6. Plug into electrical outlet and test the fixture.

**Care Instructions:** Clean only with a soft dry cloth or feather duster. Do not use abrasive or chemical agents.