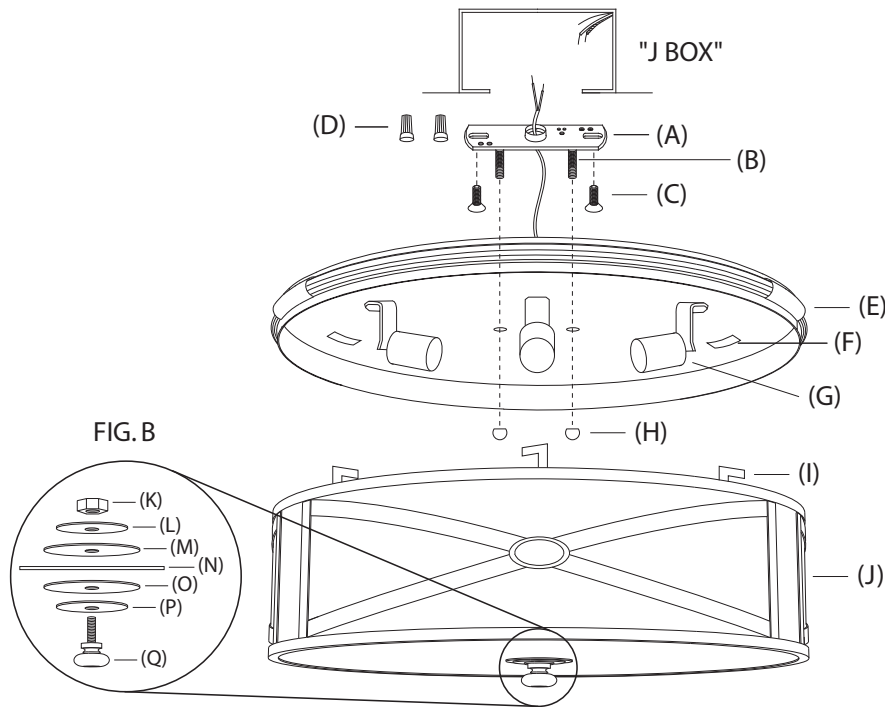


ASSEMBLY INSTRUCTIONS FOR YOUR CHASE FLUSHMOUNT



IMPORTANT SAFETY INSTRUCTIONS:

*These instructions are provided for your safety. It is very important that they are read completely before beginning the installation of your fixture.

*DIRECT WIRE FIXTURES: WE STRONGLY RECOMMEND INSTALLATION BY A LICENSED ELECTRICIAN.

WARNING:

*Turn the power to fixture off before replacing bulbs, making sure the bulbs have sufficient time to cool down. Do not subject the fixture to any shock while lit as shattering of bulbs may result.

ASSEMBLY INSTRUCTIONS:

1. SHUT OFF THE MAIN ELECTRICAL SUPPLY FROM THE MAIN FUSE BOX/ CIRCUIT BREAKER.
2. Remove all parts from carton. Do not throw away any parts.
3. Remove cross bar (A) from canopy (E) by unthreading decorative nuts (H).
4. Affix cross bar (A) to "J BOX" using mounting screws (C).
5. Lift canopy (E) to cross bar (A) and guide wiring from canopy (E) through center hole in cross bar (A). Make proper electrical connections.
6. Attach ground fixture wire (GREEN) to either the ground screw on cross bar (A) or to the ground wire in the wall outlet box (usually GREEN or COPPER in color). If attaching to ground wire in outlet box, fasten together with a plastic wire nut and tightly wrap with electrical tape. IT IS IMPERATIVE THAT THE OUTLET BOX IN YOUR HOME BE PROPERLY GROUNDED.
7. Connect the neutral (WHITE or RIBBED BLACK) fixture wire to the neutral (usually WHITE) wire from the outlet box. Fasten wires together with a plastic wire nut (D) and tightly wrap connector with electrical tape.
8. Connect the hot (BLACK or SMOOTH BLACK) fixture wire to the hot (BLACK) wire from the outlet box. Fasten wires together with a plastic wire nut (D) and tightly wrap connector with electrical tape.
9. Push wires back into "J BOX".
10. Align holes in canopy (E) with bolts (B). Hold canopy (E) against ceiling so bolts (B) protrude through holes in canopy (E).
11. Thread decorative nuts (H) onto exposed threads of bolts (B) until hand tight to secure canopy (E) to ceiling.
12. Insert three (3) Type A 60W max bulbs into sockets (G).
13. Remove nut (K), metal washer (L), and plastic washer (M) from finial (Q). Insert threaded end of finial (Q) through hole in bottom glass (N).
NOTE: Be sure (smaller) washer (P) is below washer (O) before inserting threaded end of finial (Q) through hole in bottom glass (N). Slide plastic washer (M), over exposed threads on finial (Q) so it rests on top side of glass (N). Place metal washer (L) over plastic washer (M). Secure items together with nut (K). WARNING: DO NOT OVER TIGHTEN NUT (K), OR GLASS (N) COULD CRACK.
14. Carefully lift shade (J) to canopy (E). Align channels (F) on canopy (E) with tabs (I) on shade (J). Insert tabs (I) into channels (F). Turn shade (J) so tabs (I) slide into channels (F) securing shade (J) to canopy (E).

CARE INSTRUCTIONS:

*To clean, use a soft cloth only. DO NOT use any chemical or abrasive cleaners.