



KALCO.
Handcrafted Since 1980

ASSEMBLY & INSTALLATION INSTRUCTIONS

MODEL: 506041
CAMILLA 4 LIGHT SEMI-FLUSH

I M A G E



If you have any questions or problems assembling your fixture please call us for assistance.

Customer Service: (702) 361-4345 or (800) 525-2655
customer.services@kalco.com

WARNING! TO REDUCE THE RISK OF FIRE OR INJURY PLEASE TAKE PRECAUTION AND FOLLOW THE STEPS BELOW.

1. If you are unfamiliar with electrical wiring, call a qualified electrician to install this unit. More than one person may be necessary to install fixture, make sure you have enough qualified help.
2. Turn off the power to the fixture's circuit at the service panel. Use a voltage detector to verify that the power is off.
3. DO NOT install bulb which exceeds the maximum wattage specified on the socket label.

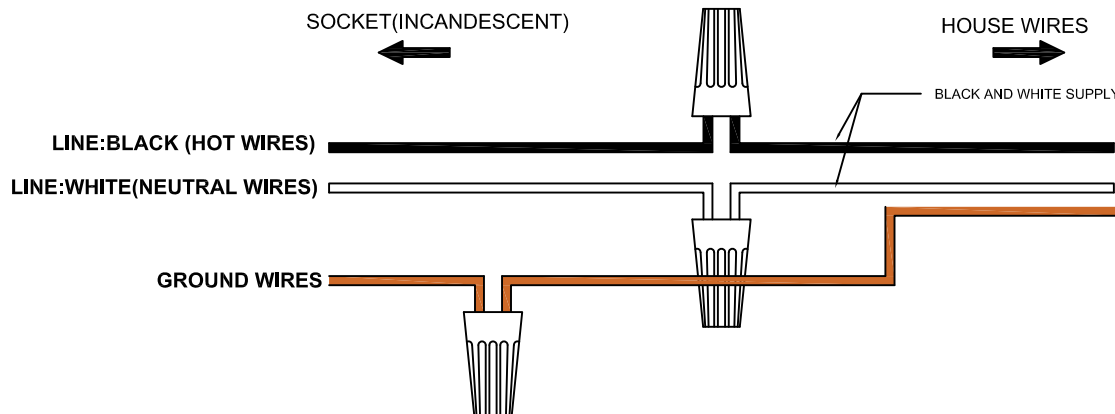
Si vous avez des questions ou des problèmes assemblage de votre dispositif s'il vous plaît appel pour l'assistance.

Customer Service: (702) 361-4345 or (800) 525-2655
customer.services@kalco.com

AVERTISSEMENT! POUR RÉDUIRE LES RISQUES D'INCENDIE OU DE BLESSURES S'IL VOUS PLAÎT PRENDRE DES PRÉCAUTIONS ET SUIVEZ LES ÉTAPES CI-DESSOUS.

1. Si vous n'êtes pas familier avec le câblage électrique, appelez un électricien qualifié pour installer cet appareil. Plus d'une personne peut être nécessaire d'installer appareil, assurez vous que vous disposez de l'aide assez qualifié.
2. Coupez l'alimentation au circuit de l'appareil sur le tableau de service. Utiliser un détecteur de tension pour vérifier que l'alimentation est coupée
3. NE PAS installer l'ampoule qui excède la puissance maximale indiquée sur l'étiquette du socket.

WIRING DIAGRAM





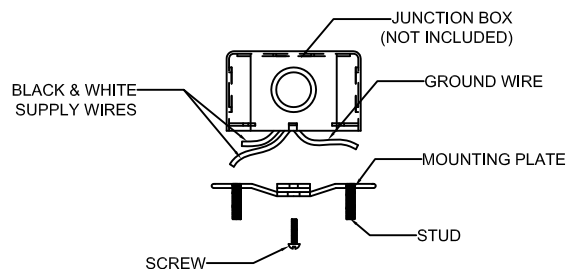
KALCO.
Handcrafted Since 1980™

ASSEMBLY & INSTALLATION INSTRUCTIONS

MODEL: 506041
CAMILLA 4 LIGHT SEMI-FLUSH

MOUNTING INSTALLATION

STEP 1: Attach mounting plate to outlet box with the (2) 8-32 x 3/4" screws.



COMPONENTS/GLASS ASSEMBLY



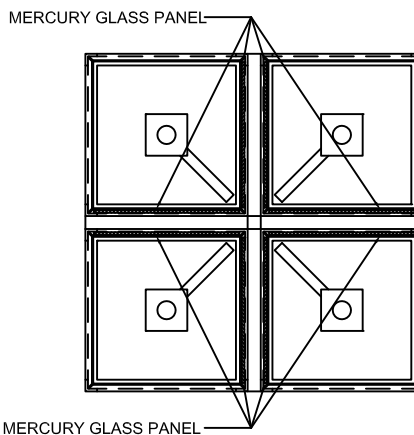
CLEAR GLASS PANEL 8PCS



MERCURY GLASS PANEL 8PCS



MERCURY GLASS PANEL



STEP 2: Carefully insert the mercury glass panel as shown.

NOTE : The textured side (Mercury) facing away from the bulb.

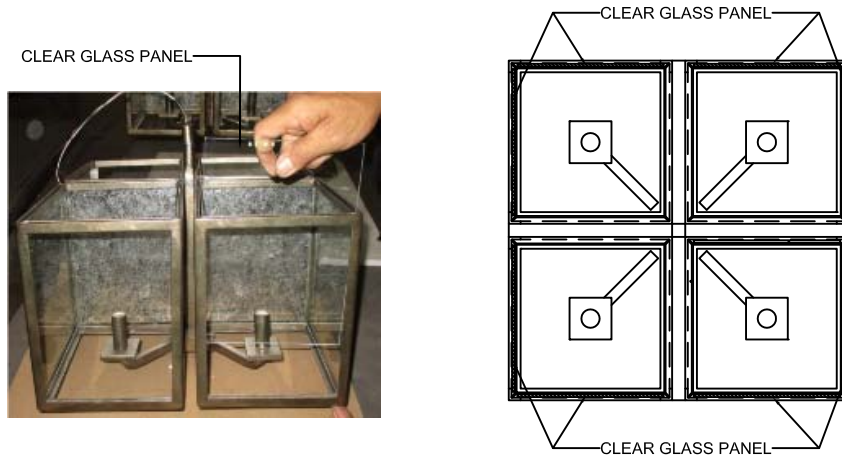


KALCO
Handcrafted Since 1980

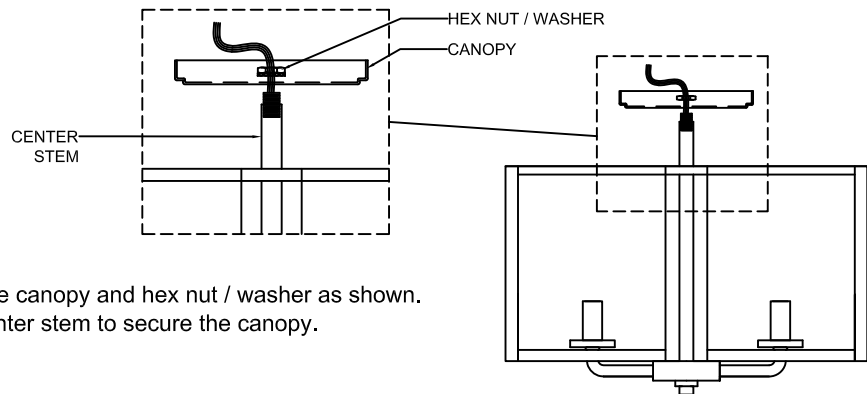
ASSEMBLY & INSTALLATION INSTRUCTIONS

MODEL: 506041
CAMILLA 4 LIGHT SEMI-FLUSH

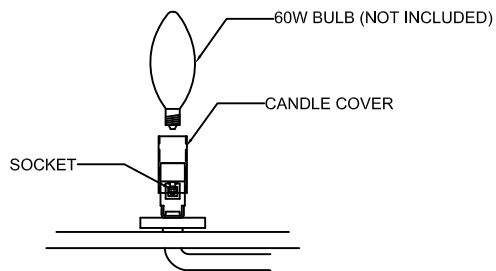
COMPONENTS/GLASS ASSEMBLY



STEP 3: Carefully Insert the clear glass panel as shown.



STEP 4: Carefully insert all wires to the canopy and hex nut / washer as shown. Tighten the hex nut to the center stem to secure the canopy.



STEP 5: Insert the candle cover to the socket.

STEP 6: Install bulbs. Do not install bulbs which exceed 60W.

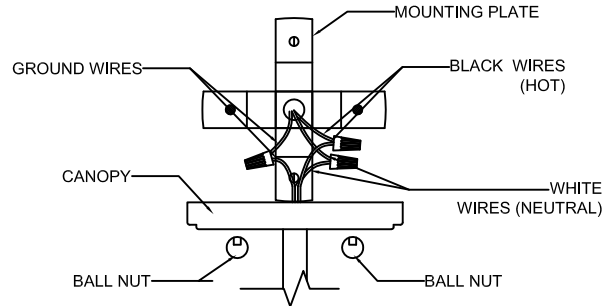


KALCO
Handcrafted Since 1980

ASSEMBLY & INSTALLATION INSTRUCTIONS

MODEL: 506041
CAMILLA 4 LIGHT SEMI-FLUSH

ELECTRICAL / MOUNTING INSTALLATION



STEP 7: Connect bare ground wire from the outlet box (if supplied) with connectors.

STEP 8: Refer to wiring diagram. With wire carefully threaded thru back plate, connect the black supply wire to the fixture wire with wire connector, connect the white supply wire to the white fixture wire with wire connector.

STEP 9: Carefully tuck all wires into outlet box ensuring that there are no wires pinched between the canopy and ceiling.

FOR LIGHTING MAINTENANCE:

- Regular cleaning of fixture with proper and gentle care using a soft duster, soft lint-free or damp cloth is recommended.
- Refrain from using harsh cleaning liquids that may cause chemical reaction on the hand painted finishes.
- Always refer to the Assembly Instruction before removing any components.
- HANDLE WITH CARE.








KALCO.
Handcrafted Since 1980

ASSEMBLY & INSTALLATION INSTRUCTIONS

MODEL: 506041
CAMILLA 4 LIGHT SEMI-FLUSH

PARTS LIST

IMAGE	PARTS NAME	QTY
	X2-A Parts Bag	1 PC
	Screw	2 PCS
	Ball Nut	2 PCS
	Canopy	1PC
	Candle cover	4 PCS