

Customer Service : (702)361-4345, (800)525-2655, customer.service@kalco.com

## WARNING - TO REDUCE THE RISK OF FIRE OR INJURY:

- 1.If you are unfamiliar with electricalwiring, call a qualified electrician to install this unit .More than one person may be necessary to install fixture ,make sure you have enough qualified help.
- 2.Turn off the power to the fixture's circuit at the service panel. Use a coltage detector to verify that the power is off.
- 3.DO NOT install bulb which exceeds the maximum wattge specified on the socket label.

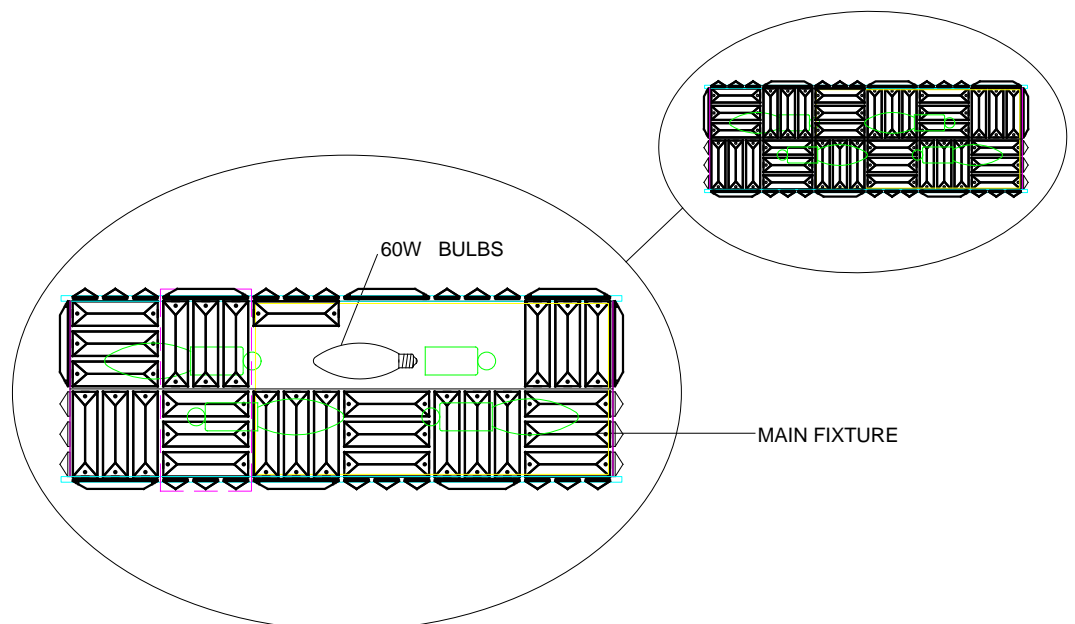
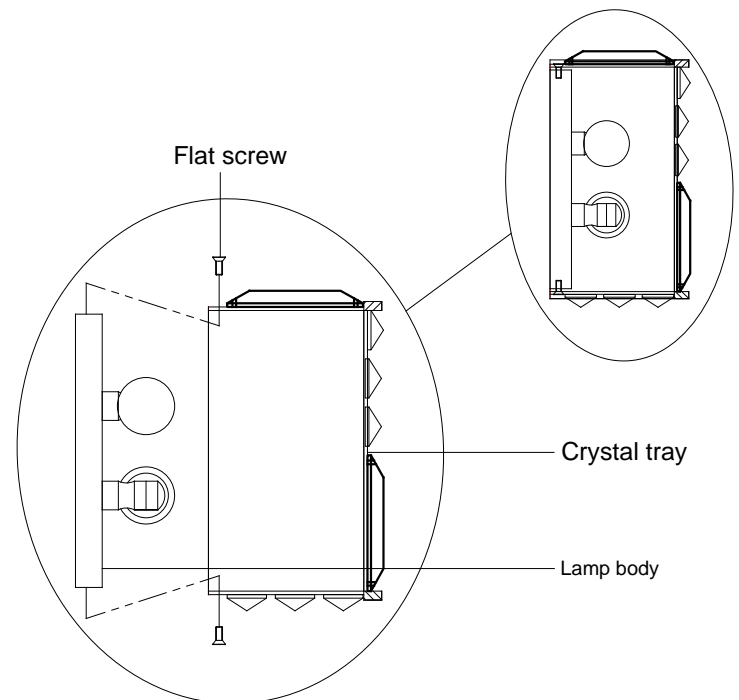
## Fixture Assembly

Step 1. Place mount mounting and wiring steps before crystal installation step

Step 2. Assemble crystal tray to the lamp body as shown,Align holes in crystal tray with holes in fixture and secure crystal tray to fixture using headless screw

Step 3. Fix part Crystal tray to part Lamp body by using Flat screw .

Step 4. Lnstall candelabra bulbs bulb,do not use bulbs that exceeds 60W



Customer Service : (702)361-4345, (800)525-2655, customer.service@kalco.com

## Fixture Assembly

Step 5. Fasten 2 (state specification of screw ) into mounting plate so that they extend away from wall when mounting plate is installed

Step 6. Attach the mounting plate to outlet box with screws

Step 7. Refer to wiring diagram.  
Splice the ribbed side of fixture cord to the white supply wire from outlet box with wire connector. Splice the smooth side of the fixture cord to black supply wire from outlet box with wire connector

Step 8. Carefully tuck in all wires. Attach the backplate with the mounting screw on the crossbar. Secure fixture with shell knobs.

